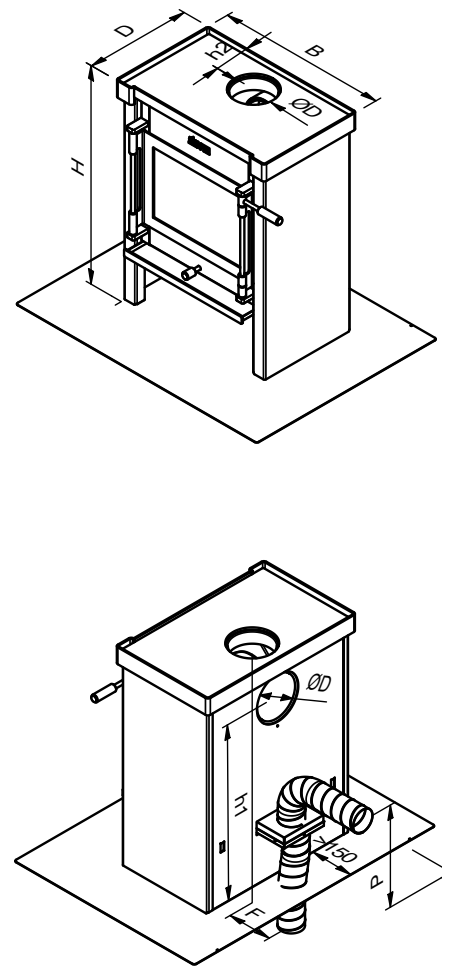


Technical data

The logo for JACOBUS features a stylized white flame icon above the letter 'J'. The letters 'J' and 'A' are white, while 'C', 'O', 'B', 'U', and 'S' are red. The font is a bold, sans-serif typeface.

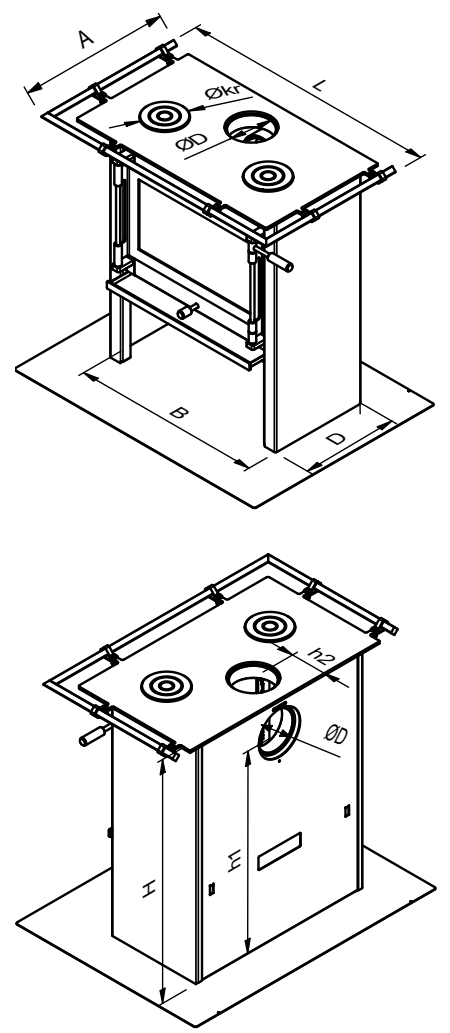
	JAcobus 6	JAcobus 9	JAcobus 12	Remarks
	JAcobus 6 cook	JAcobus 9 cook	JAcobus 12 cook	
	JAcobus 6 see-through	JAcobus 9 see-through	JAcobus 12 see-through	
Dimensions stove: HxWxD (mm)	780x520x380	780x620x380	780x720x380	
	870x540x350	870x580x350	870x680x350	
	780x520x390	880x620x390	880x720x390	
Dimensions external air supply: F/P (mm)	165 / ≥370	165 / ≥370	165 / ≥370	Distance between wall and stove min. 150mm
Dimensions cooking plate LxA (mm)	920x530	920x530	920x530	
Diameter stainless steel cooking plates økr (mm)	3pcs. 138	2pcs. 138, 1pc. 157	2pcs. 138, 1pc. 157	With top connection only 2 instead of 3 cooking plates
Dimensions flue exhaust øD/h1/h2 (mm)	131 / 625 / 120	150 / 625 / 120	150 / 625 / 120	Top and rear connection available
	131 / 725 / 130	150 / 725 / 130	150 / 725 / 130	Top and rear connection available
	131 / - / -	150 / - / -	180 / - / -	See-through top connection only
Nominal output (kW)	6	8,5	12	
Usable output (kW) min - max	3,5 - 7	5 - 10	8 - 14	
Capacity (m ³)	60 - 120	120 - 160	160 - 250	
Efficiency (%)	80,5 ¹⁾ / 83,6 ²⁾ / 89,3 ³⁾	76,5 ¹⁾ / 80,6 ²⁾ / 87,4 ³⁾	75 ¹⁾ / 81,5 ²⁾ / 87,1 ³⁾	
CO emission 5) (mg/Nm ³)	800 (0,06 ppm) ⁴⁾	739 (0,06 ppm) ⁴⁾	585 (0,05 ppm) ⁴⁾	
Fine particulate emission ⁵⁾ (mg/Nm ³)	30 ⁴⁾	40 ⁴⁾	29 ⁴⁾	
Fuel consumption at nominal output (kg/hour)	1,6 ⁴⁾	2,5 ⁴⁾	3,7 ⁴⁾	
Colour	Dark anthracite	Dark anthracite	Dark anthracite	
Combustion chamber material	Corten steel (3-8mm)	Corten steel (3-8mm)	Corten steel (3-8mm)	
Material exterior	Steel (2,5mm)	Steel (2,5mm)	Steel (2,5mm)	
Combustion air	Primary, secondary, tertiary	Primary, secondary, tertiary	Primary, secondary, tertiary	One-button operation
Clean-window system	Yes	Yes	Yes	
'Self-closing' door	Optional	Optional	Optional	
'Right-hinged' door	Optional	Optional	Optional	Standard is left-hinged
Convection heat	Yes, sides and rear (approx. 80%)	Yes, sides and rear (approx. 80%)	Yes, sides and rear (approx. 80%)	
	Yes, sides and rear (approx. 70%)	Yes, sides and rear (approx. 70%)	Yes, sides and rear (approx. 70%)	
	Yes, sides (approx. 50%)	Yes, sides (approx. 50%)	Yes, sides (approx. 50%)	
Radiant heat	Yes, front and top (approx. 20%)	Yes, front and top (approx. 20%)	Yes, front and top (approx. 20%)	
	Yes, front and top (approx. 30%)	Yes, front and top (approx. 30%)	Yes, front and top (approx. 30%)	
	Yes, front and rear (approx. 50%)	Yes, front and rear (approx. 50%)	Yes, front and rear (approx. 50%)	
Standards	EN13240, DIN+, BlmSchV Stufe 2	EN13240, DIN+, BlmSchV Stufe 2	EN13240, DIN+, BlmSchV Stufe 2	
External air supply	Yes, 80 mm (adapter kit required) Through the wall or floor	Yes, 80 mm (adapter kit required) Through the wall or floor	Yes, 80 mm (adapter kit required) Through the wall or floor	See-through: through floor only
Weight (kg)	110	130	150	
	120	140	160	
	110	130	150	
Warranty	Lifetime on steelwork	Lifetime on steelwork	Lifetime on steelwork	www.jacobus.nl/garantie_voorwaarden

JAcobus



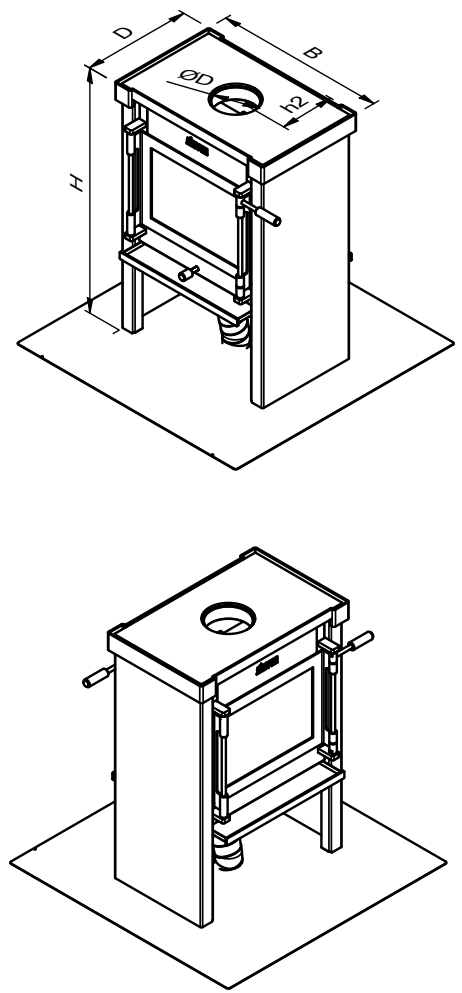
¹⁾ Efficiency in accordance with standard BlmSchV, Stufe 2, i.e. with very clean combustion.

JAcobus cook



²⁾ Efficiency in accordance with standard BlmSchV, Stufe 1, i.e. with clean combustion.

JAcobus see-through



³⁾ Efficiency in accordance with applicable Dutch standard EN13240, i.e. permitted 'polluting' combustion in the Netherlands.

⁴⁾ In accordance with standard BlmSchV, Stufe 2.

⁵⁾ At 13% O₂.

Janco de Jong BV

Tolbaas 2-10
8401 GD Gorredijk
0513 460575
info@jacobus.nl
jacobus.nl
Instagram: Jacobus_houtkachels
Facebook: /houtkachels

Sales through the dealer network

Sales and installation of JAcobus wood-burning stoves are provided by Janco de Jong in Gorredijk, and through an exclusive network of specially selected dealers. You can find our dealers at jacobus.com

JAcobus is a legally registered trademark in the EU (no. 001144808).

2023/1

