

Technical data

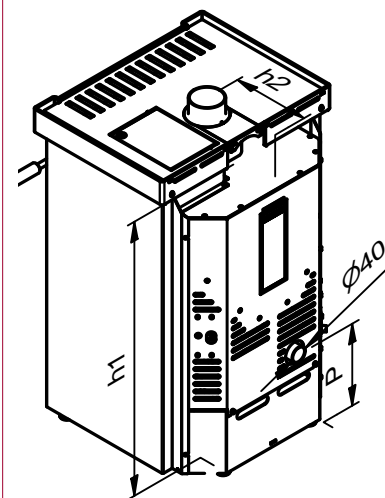
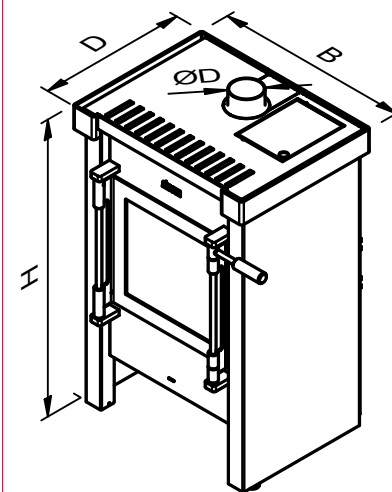
The logo for JACOBUS features a stylized white flame icon above the letter 'J'. The letters 'J' and 'A' are white, while 'C', 'O', 'B', 'U', and 'S' are red. The font is a bold, sans-serif typeface.



	JAcobus Pellet	Remarks
Dimensions stove: HxWxD (mm)	780x512x472	Feet +/- 10mm
Dimensions external air supply: F/P (mm)	- / 225	Only through rear/wall 40mm hose required
Dimensions flue exhaust øD/h1/h2 (mm)	80 / 725-745 / 200	Top and rear connection available
Nominal output (kW)	6	
Usable output (kW) min - max	3,0 - 6,0	
Capacity (m³)	60 - 140	
Flue gas temperature (°C)	122 - 175	
Efficiency (%)	88,5 - 89,1	
CO emission <sup>5)</sup> (mg/Nm³)	144 - 265	
NOx <sup>5)</sup> (mg/Nm³)	110 - 138	
CxHy <sup>5)</sup> (mg/Nm³)	3 - 2	
Fine particulate emission <sup>5)</sup> (mg/Nm³)	14 - 17	
Fuel consumption (kg/hour)	1,3 - 0,63	
Material, maximum dimensions and moisture content of pellets	Wood, Ø 7mm, Length:: 30mm, Moisture < 12 %	
Power consumption (kW)	0,019 - 0,012 (230V-50Hz)	
Current consumption max. short-term (W)	320	
Colour	Dark anthracite	
Combustion air	Primary, secondary, tertiary	
Clean-window system	Yes	
'Self-closing' door	Optional	
Convection heat	Yes, sides and rear (approx. 80%)	
Radiant heat	Yes, front and top (approx. 20%)	
Standards	NEN-EN 14785:2006	
Weight (kg)	67	
Guarantee	Lifetime on steelwork, remainder 2 years	<a href="http://jacobus.nl/garantie_voorwaarden">jacobus.nl/garantie_voorwaarden</a>

<sup>5)</sup> At 13% O<sub>2</sub>.

## JACOBUS PELLETT



PELLET technical data

## Janco de Jong BV

Tolbaas 2-10  
8401 GD Gorredijk  
0513 460575  
info@jacobus.nl  
jacobus.nl  
Instagram: Jacobus\_houtkachels  
Facebook: /houtkachels

### Sales through the dealer network

Sales and installation of JAcobus wood-burning stoves are provided by Janco de Jong in Gorredijk, and through an exclusive network of specially selected dealers. You can find our dealers at [jacobus.com](http://jacobus.com)

JAcobus is a legally registered trademark in the EU (no. 001144808).

2023/1

